



(/media/filer\_public\_thumbnails/filer\_public/d5/1d/d51df927-0fc9-4d22-96c3-06f4ef201f97/genisis\_p32\_sliding\_table\_panel\_saw.png\_\_1024x768\_q85\_subsampling-2.png)

## Genesis P32

### Videos

Video (<https://youtu.be/MgUWYTJ12qc>)

N.B. Video shows the Genesis XC which is the same as the P32 but with a shorter 1900mm sliding table and 1,000mm rip fence (P32 has 3200mm sliding table and 1,300mm rip fence)

Having sold sliding table panel saws for many years, this new model from the established Genesis range quite simply is unbeatable in terms of quality and unbelievable value for money

In today's difficult trading conditions, this machine sets out to be the ultimate recession beating, credit crunching panel saw. Aimed at the medium sized manufacturer, it is a full blown industrial machine with the same heavy duty sliding table as found on the 'X' type machines, the

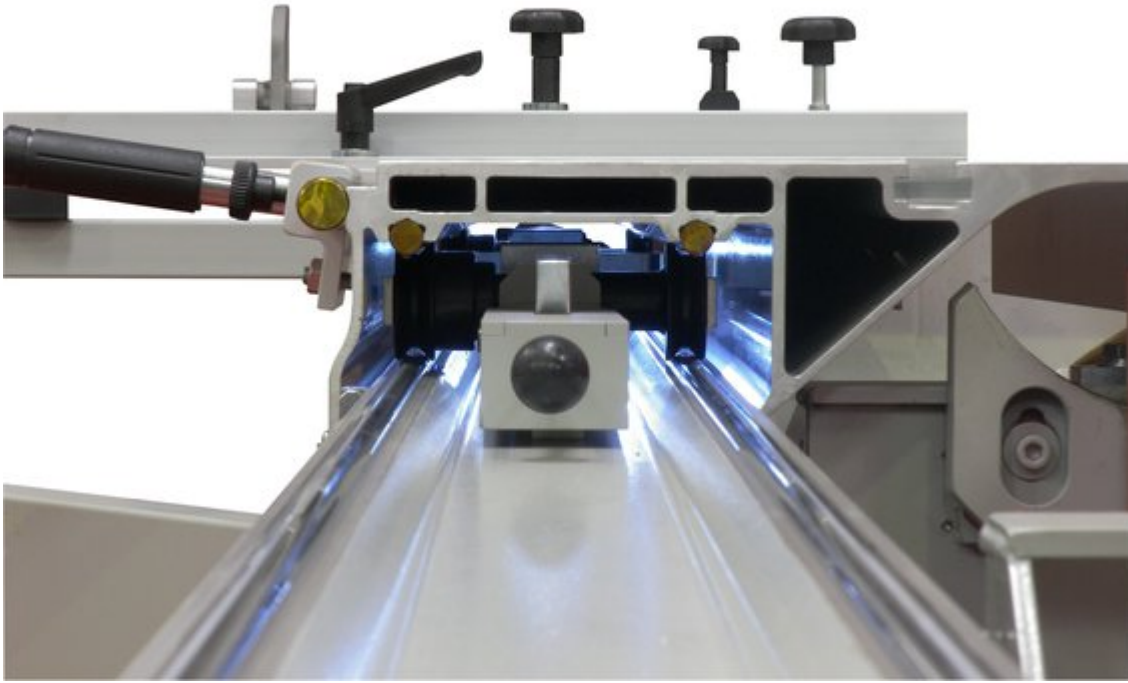
same heavy duty cross cut fence with 2 x heavy duty flip stops, the rip fence mounted on a 45mm diameter solid chromed bar with fine adjustment and taking a 400mm diameter blade driven by 5.5Kw (7.5Hp) motor makes this suitable for solid wood as well as panel sizing.

**We guarantee there is nothing on the market to beat this machine at this price level, so why pay more for a lesser value product?**

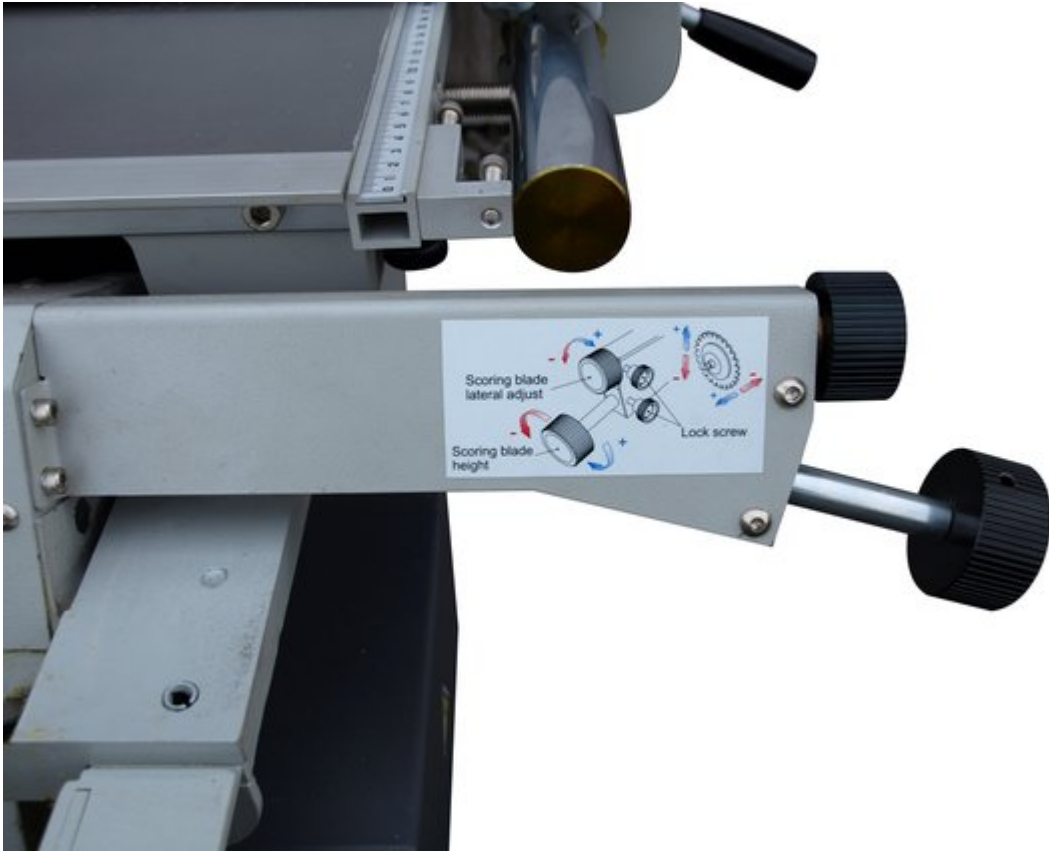
## Specification

Main saw blade diameter max.	Ø 400 mm
Max. cutting height with blade at 90°	125 mm
Max. cutting height with blade at 45°	88 mm
Rectified cast iron fixed table dimension	570x1000 mm
Main blade speed	3000 / 4000 / 5000 RPM
Sliding table length	380 x 3200mm
Main saw bore	Ø 30 mm
Main motor power	7.5HP (5.5KW)
Scoring saw blade	Ø 120mm
Scoring motor power	1HP (0.75KW)
Scoring blade speed	8000 RPM
Cutting width	1300 mm
Saw table extension	720 mm

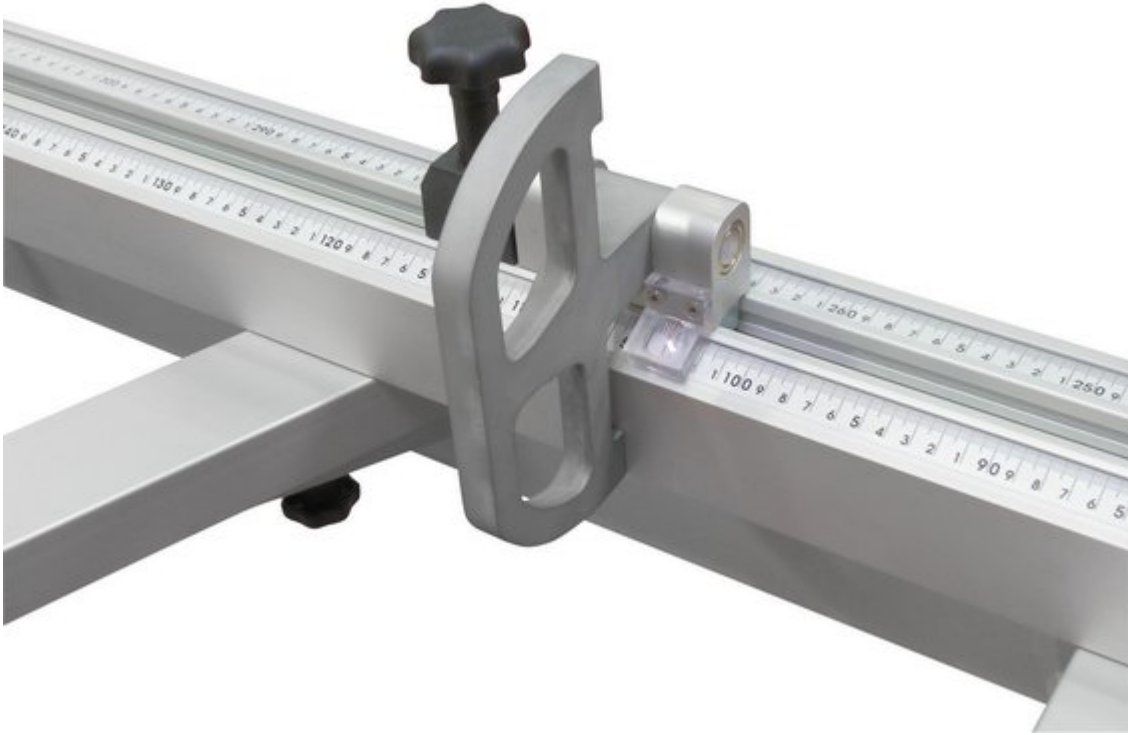
Cross cut fence manual movement	Yes
With Mitre fence	Yes
Manual control for cutting width adjustment	Yes
Manual control for blade tilting adjustment	Yes
Motorized for main saw height adjustment	Yes
Manual control for scoring saw height adjustment	Yes
Manual control for scoring + / - direction adjustment	Yes
With Luxurious Overhead saw guard	Yes
With simple digital display for the tilting of saw blade	Yes
With LED display for the rpm show of saw blade	Yes
With tool frame	Yes
With Clamping shoe	Yes
Main channel dust collection	Ø 100 mm
Lux saw guard dust collection	Ø 75 mm
380V/50HZ/3PH	
Packing size:	2270 x 1300 x 1100 mm + 3330 x 470 x 330 mm
N.W / G.W.	600 kg / 780 kg + 177 kg / 247 kg



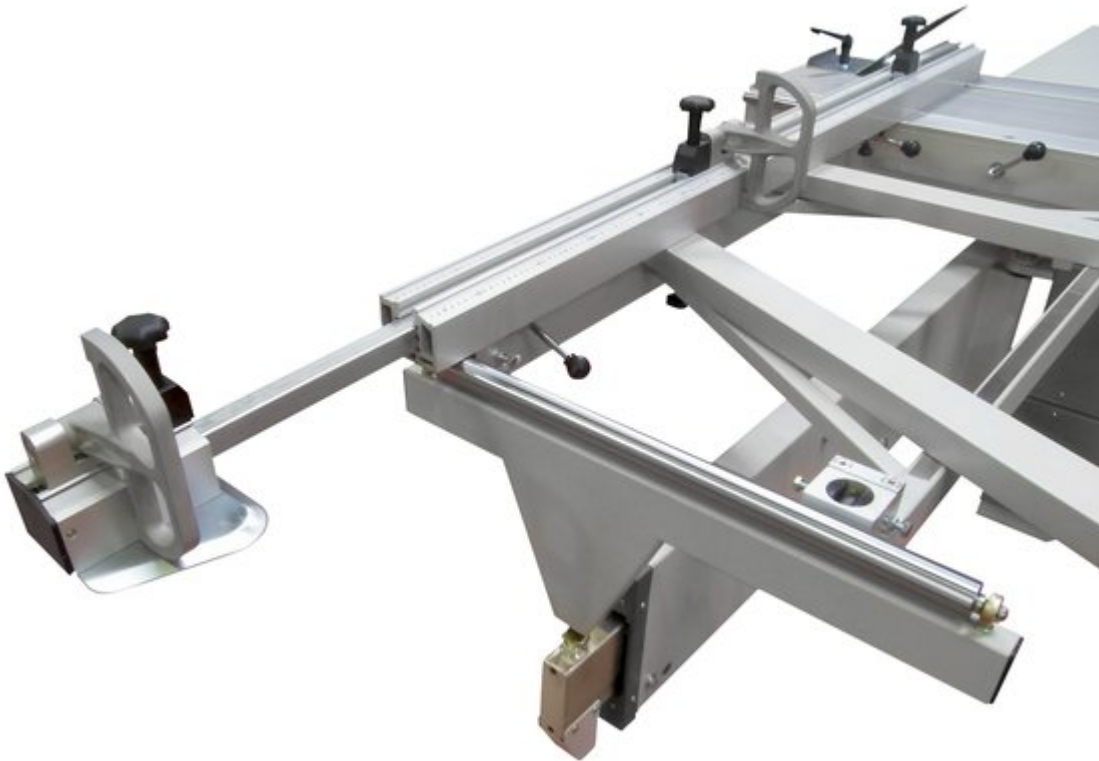
**Heavy duty sliding table**



**Scorer adjustments**



**Heavy duty flip stops**



## Heavy duty telescopic cross cut fence

Find out more about this machine and the rest of the range at the Genisis X-Type Panel Saws (<http://ukpanelsaws.co.uk>) website.

Special Offer

POA

<http://piwik.smashbang.co.uk/piwik.php?idsite=6>